

**DPS**  **PUMPS**

# SELF-PRIMING CENTRIFUGAL PUMP

**NS Series**



**DPS PUMPS -**

**A Division of Diesel Parts & Service Pty. Ltd. A.C.N. 009 818 848**

**21 Hilda Street**

**Hamilton, Brisbane, Qld. 4007**

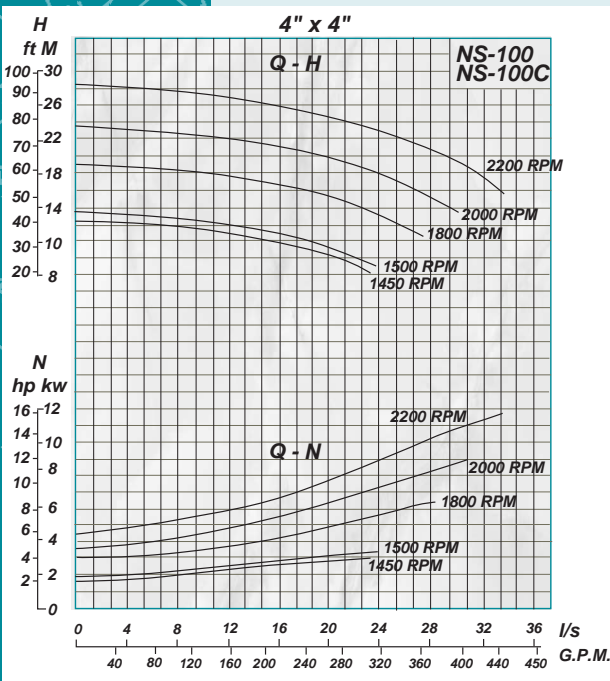
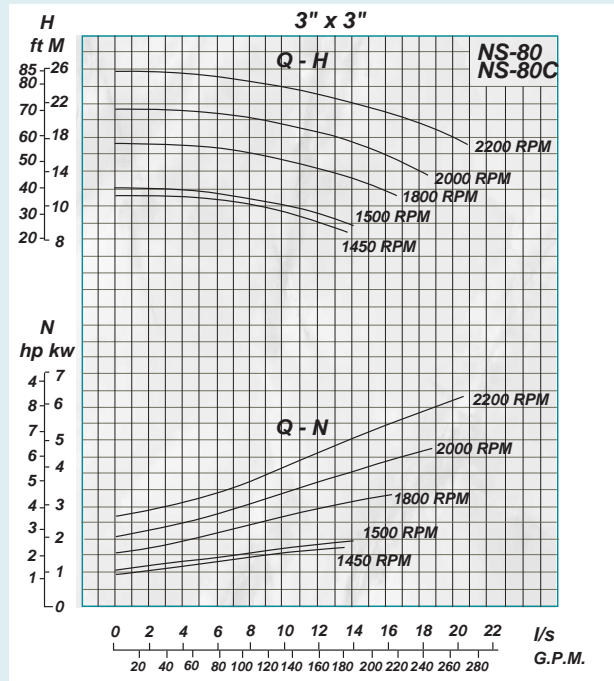
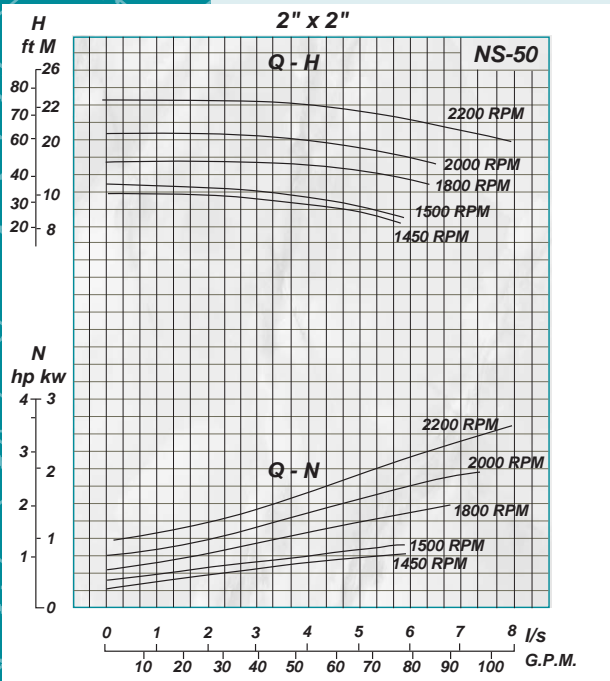
**Ph: 07 - 3268 1062**

**Fax: 07 - 3868 1330**

# DPS PUMPS

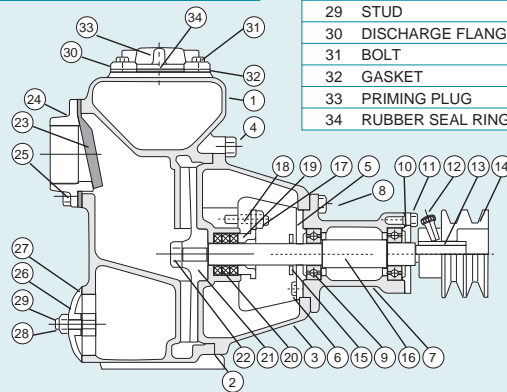
## SELF PRIMING CENTRIFUGAL PUMP

NS-50, NS-80, NS80C, NS-100, NS100C



### PARTS LIST

No.	PART NAME	QTY	No.	PART NAME	QTY
1	CASING	1	15	WATER THROWER	1
2	GASKET	1	16	SHAFT	1
3	PEDESTAL	1	17	NUT	2
4	BOLT	4 (6)	18	STUD BOLT	2
5	INSIDE COVER	1	19	GLAND	1
6	BOLT	3 (4)	20	GLAND PACKING	1
7	BEARING CASE	1	21	IMPELLER	1
8	BOLT	4	22	IMPELLER NUT	1
9	BEARING	2	23	CHECK VALVE	1
10	OUTSIDE COVER	1	24	SUCTION FLANGE	1
11	BOLT	3 (4)	25	BOLT	4
12	BOLT	1	26	DRAIN COVER	1
13	KEY	1	27	GASKET	1
14	V. PULLEY	1	28	NUT	1
			29	STUD	1
			30	DISCHARGE FLANGE	1
			31	BOLT	4
			32	GASKET	1
			33	PRIMING PLUG	1
			34	RUBBER SEAL RING	1



DISTRIBUTED BY:

### TECHNICAL FEATURES

1. SELF PRIMING. No foot valve needed.
2. OPEN TYPE IMPELLER
3. SEALED BEARINGS
4. HEAVY DUTY - cast iron construction
5. ROTATION  
NS50, NS80, NS100 - anticlockwise  
NS80C, NS100C - clockwise
6. OPTIONS: MECHANICAL SEAL  
STAINLESS STEEL SHAFT