



**Customer Support -  
Every place you need it.**

Cummins has the most comprehensive service support network in the South Pacific with 39 company-owned branches, more than 150 dealers, and over 200 field service vehicles linked by GPS for fast response.

In addition, customers in Australia and New Zealand can call the Australian-based Cummins Support Centre any time of the day, any day of the year, for breakdown assistance or technical advice. All you need to do is ring a single number – 1300 CUMMINS (if you're in Australia) or 0800 CUMMINS (if you're in New Zealand) – and you can speak directly to a highly experienced Cummins service technician.

With Cummins you're not just buying an engine, you're buying a partnership with all the support, services and parts you need.



**The Cummins Support Centre boasts a team of highly experienced service technicians who are based at a dedicated facility in Melbourne.**

**Everywhere.  
Cummins Locations.**

**AUSTRALIA**

**New South Wales**

Dubbo 02 6881 8260  
Grafton 02 6641 1000  
Leeton 02 6953 3077  
Muswellbrook 02 6541 0611  
Newcastle 02 4964 8466  
Orange 02 6360 2777  
Queanbeyan 02 6297 3433  
Sydney 02 9616 5300  
Tamworth 02 6765 5455  
Wollongong 02 4227 2444

**Tasmania**

Devonport 03 6424 8800  
Hobart 03 6262 5700

**Victoria**

Campbellfield 03 9357 9200  
Laverton 03 8368 0800  
Mildura 03 5022 0800  
Swan Hill 03 5033 1511  
Wodonga 02 6024 3655

**Western Australia**

Bunbury 08 9725 6777  
Geraldton 08 9964 5449  
Kalgoorlie 08 9080 1300  
Karratha 08 9144 4646  
Perth 08 9475 8777

**Northern Territory**

Darwin 08 8947 0766

**Queensland**

Brisbane 07 3710 4700  
Cairns 07 4035 2999  
Cloncurry 07 4742 0088  
Emerald 07 4983 9000  
Mackay 07 4952 8100  
Toowoomba 07 4633 7627  
Townsville 07 4774 7733

**NEW ZEALAND**

Auckland 09 277 1000  
Bay Of Plenty 07 345 6699  
Palmerston Nth 06 356 2209  
Whangarei 09 438 8892

**South Australia**

Adelaide 08 8368 4300  
Mount Gambier 08 8725 6422  
Port Lincoln 08 8683 1967

**PAPUA NEW GUINEA**

Lae 05 472 3699  
Port Moresby 05 323 2471

**BRANCH/DEALER STAMP**



For Australia

**1300Cummins**  
Ph 1300 286 646

For New Zealand

**0800Cummins**  
Ph 0800 286 646



Cummins Head Office  
2 Caribbean Drive  
Scoresby Vic 3179 Australia  
Phone 613 9765 3222  
Fax 613 9763 0079  
[www.southpacific.cummins.com](http://www.southpacific.cummins.com)

**Every Solution.**

QSB3.3 - Tier 3.  
COMPAK.



# QSB3.3 - Tier 3 COMPAK.

## Features and Benefits.

### ■ USEPA Tier 3 Emissions Certification

Cummins' QSB3.3 engine meets the latest emissions certification requirements.

### ■ Full Authority Electronic Controls

Electronic engine control provides improved fuel economy, precision diagnostics and engine protection.

### ■ High-Pressure Common Rail Fuel System

Cleaner, quieter operation with consistent performance at every rpm.

### ■ Air Cleaner

Heavy duty industrial air cleaner, with safety element and restriction indicator included.

### ■ Pedestal Leg Mounting

### ■ Cooling System

Heavy duty, 50°C ambient capable radiator assembly and guarding, incorporating jacket water and charge air cooling. Sucker fan arrangement.

### ■ Exhaust

Integral industrial class exhaust silencer with rain cap.

### ■ Instrument Panel

Includes digital display for engine monitoring, with shutdown protection and J1939 communication. Isolated inner panel with an outer protective, lockable box.

### ■ Compact Design

Enables easy installation into space restricted applications.

## Specifications

Type	Four-stroke, turbocharged, in-line, four cylinder diesel engine	
	<b>US STD</b>	<b>METRIC</b>
Power Rating	80 – 99 bhp	60 – 74 kW
Rated Speed	2600 rpm	2600 rpm
Peak Torque	274 – 306 lb ft	371 – 415 Nm
Peak Torque	1600 rpm	1600 rpm
Bore and Stroke	3.74 in x 4.53 in	95 mm x 115 mm
Piston Displacement	199 cu ins	3.3 litres
Oil System Capacity	12.7 qts	12 litres
Coolant Capacity (C/Pak)	2.6 gal	9.7 litres
Engine Weight (Wet)	610.68 lbs	277 kg
Compak Weight	959 lbs	435 kg

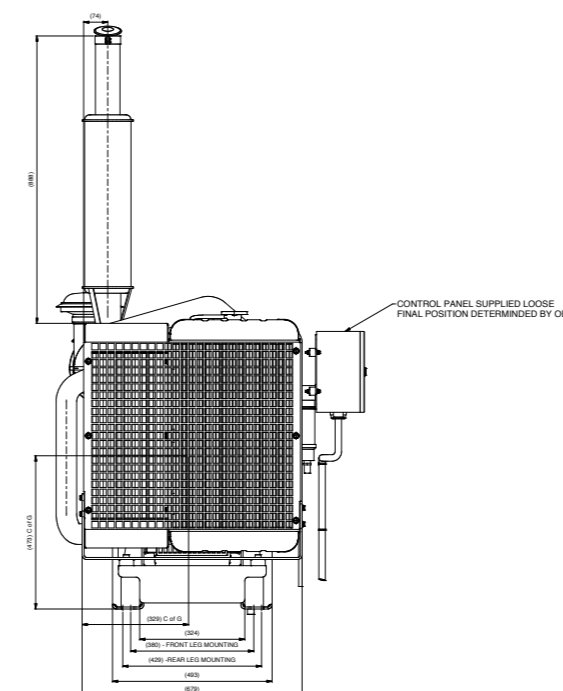
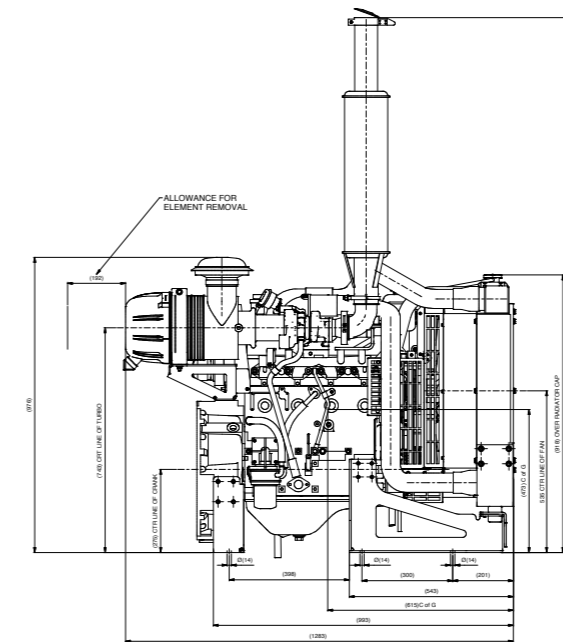
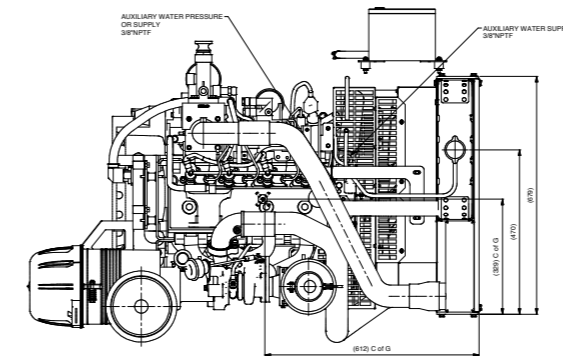
## Ratings

ENGINE MODEL	ADVERTISED HP (kW) @ RPM	PEAK TORQUE LB FT (Nm) @ RPM	RATING
QSB3.3 99	99 (74) @ 2600	306 (415) @ 1600	INT
QSB3.3 85	85 (63) @ 2600	274 (371) @ 1400	INT
QSB3.3 80	80 (60) @ 2200	274 (371) @ 1400	INT

Additional ratings may be available.

Check with your Cummins branch or dealer.

## Schematics.



## Warranty Coverage.

Cummins base engine coverage is 2 years or 2,000 hours of operation, or 1 year/unlimited hours of operation, whichever comes first.

It covers:

■ Full parts and labour on warrantable failures.

■ Consumables not reusable due to warrantable failures.



Extended Major Components coverage is 3 years or 10,000 hours of operation, whichever occurs first from the delivery date, and becomes active at the expiry of the base engine warranty.

It covers:

■ Warrantable failures of covered components. Bushing and bearing failures not included.

Package Units – CPAK – FPAK - COMPAK

When a product is defined as a Package Unit, all components of the product which were purchased from Cummins South Pacific as a packaged product have the same Base Engine Warranty coverage as the engine.

Package units built by Cummins South Pacific when the following components, as a minimum, are purchased from Cummins:

- Engine
- Pedestal Feet
- Radiator
- Fan

Conditions apply. Full warranty details can be found in the Industrial Cummins Warranty brochure (Bulletin 3381322).

Warrantable failures includes defect in material or factory workmanship. Covered components includes engine cylinder block, camshaft, crankshaft and connecting rods.

Cummins  
COMPAK.

Designed in  
Australia.

Made in  
Australia.

For Australian  
conditions.