



**Customer Support -  
Every place you need it.**

Cummins has the most comprehensive service support network in the South Pacific with 39 company-owned branches, more than 150 dealers, and over 200 field service vehicles linked by GPS for fast response.

In addition, customers in Australia and New Zealand can call the Australian-based Cummins Support Centre any time of the day, any day of the year, for breakdown assistance or technical advice. All you need to do is ring a single number – 1300 CUMMINS (if you're in Australia) or 0800 CUMMINS (if you're in New Zealand) – and you can speak directly to a highly experienced Cummins service technician.

With Cummins you're not just buying an engine, you're buying a partnership with all the support, services and parts you need.



**The Cummins Support Centre boasts a team of highly experienced service technicians who are based at a dedicated facility in Melbourne.**

**Everywhere.  
Cummins Locations.**

**AUSTRALIA**

**New South Wales**

Dubbo	02 6881 8260
Grafton	02 6641 1000
Leeton	02 6953 3077
Muswellbrook	02 6541 0611
Newcastle	02 4964 8466
Orange	02 6360 2777
Queanbeyan	02 6297 3433
Sydney	02 9616 5300
Tamworth	02 6765 5455
Wollongong	02 4227 2444

**Tasmania**

Devonport	03 6424 8800
Hobart	03 6262 5700

**Victoria**

Campbellfield	03 9357 9200
Laverton	03 8368 0800
Mildura	03 5022 0800
Swan Hill	03 5033 1511
Wodonga	02 6024 3655

**Western Australia**

Bunbury	08 9725 6777
Geraldton	08 9964 5449
Kalgoorlie	08 9080 1300
Karratha	08 9144 4646
Perth	08 9475 8777

**Northern Territory**

Darwin	08 8947 0766
--------	--------------

**Queensland**

Brisbane	07 3710 4700
Cairns	07 4035 2999
Cloncurry	07 4742 0088
Emerald	07 4983 9000
Mackay	07 4952 8100
Toowoomba	07 4633 7627
Townsville	07 4774 7733

**NEW ZEALAND**

Auckland	09 277 1000
Bay Of Plenty	07 345 6699
Palmerston Nth	06 356 2209
Whangarei	09 438 8892

**South Australia**

Adelaide	08 8368 4300
Mount Gambier	08 8725 6422
Port Lincoln	08 8683 1967

**PAPUA NEW GUINEA**

Lae	05 472 3699
Port Moresby	05 323 2471

**BRANCH/DEALER STAMP**



For Australia

**1300Cummins**  
Ph 1300 286 646

For New Zealand

**0800Cummins**  
Ph 0800 286 646



Cummins Head Office  
2 Caribbean Drive  
Scoresby Vic 3179 Australia  
Phone 613 9765 3222  
Fax 613 9763 0079  
[www.southpacific.cummins.com](http://www.southpacific.cummins.com)

**Every Solution.**

QSB4.5 - Tier 3.  
COMPAK.



# QSB4.5 - Tier 3. COMPAK.

## Features and Benefits.

### ■ USEPA Tier 3 Emissions Certification

Cummins' QSB4.5 engine meets the latest USEPA Tier 3 emissions certification requirements.

### ■ Full Authority Electronic Controls

Electronic engine control provides improved fuel economy, precision diagnostics and engine protection.

### ■ High-Pressure Common-Rail Fuel System

Allows multiple injection events for cleaner, quieter operation with consistent performance at every rpm.

### ■ Air Cleaner

Heavy duty industrial air cleaners, with safety elements and restriction indicators included.

### ■ Pedestal Leg Mounting

### ■ Cooling System

Heavy duty, 50°C ambient capable radiator assembly and guarding incorporating jacket water and charge air cooling. Sucker fan arrangement.

### ■ Exhaust

Integral industrial class exhaust silencer with rain cap. Residential grade silencer available as an option.

### ■ Instrument Panel

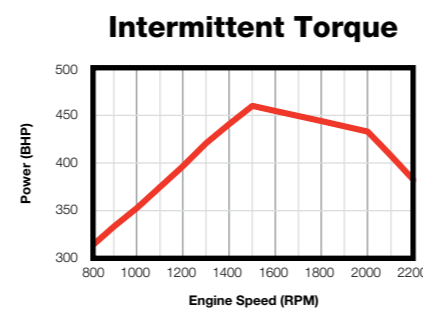
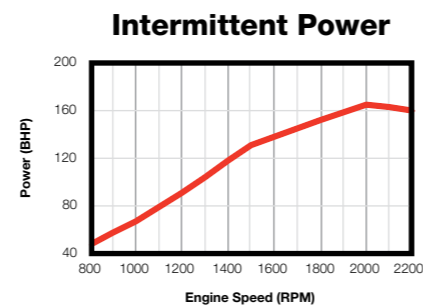
Digital display for engine monitoring, with shut down protection, J1939 communication and programmable throttle control. Isolated inner panel with an outer protective box.

## Performance

RPM	INTERMITTENT		CONTINUOUS		TORQUE		FUEL CONSUMPTION	
	BHP	kW	BHP	kW	LB FT	Nm	LB/BHP-HR	G/kW-HR
800	48	36	49	37	314	426	0.396	241
1000	67	50	69	51	353	479	0.391	238
1200	91	68	93	69	397	538	0.371	226
1300	104	78	106	79	421	571	0.352	214
1400	118	88	120	89	441	598	0.357	217
1500	131	98	131	98	460	624	0.363	221
1800	152	113	140	104	444	602	0.363	221
2000	165	123	140	104	433	587	0.373	227
2100	163	122	137	102	408	553	0.379	230
2200	160	119	130	97	382	518	0.385	234

Performance figures shown are SAE and do NOT include Cooling Fan and other parasitic losses. Specifications may change without notice.

Note: Engine should not be operated continuously at peak torque.

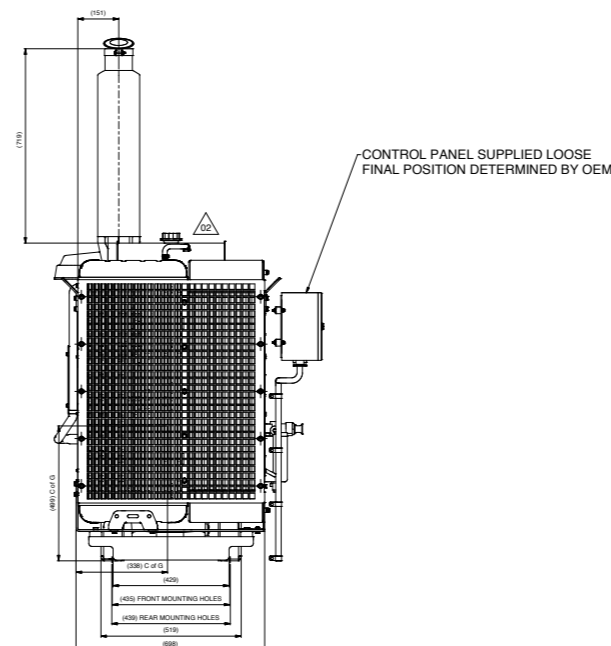
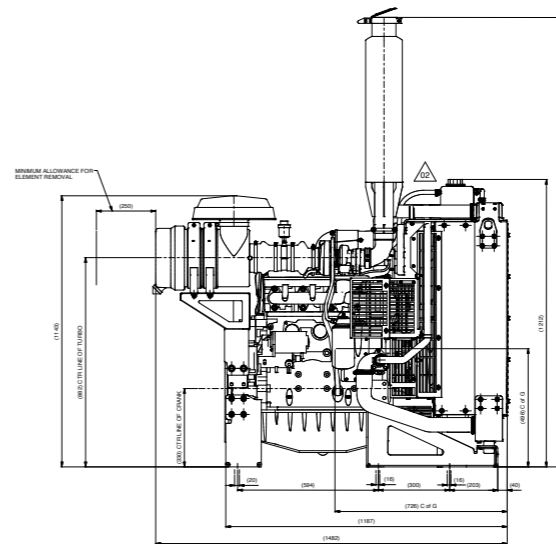


## Specifications

	Four-stroke, turbocharged, in-line, four cylinder diesel engine	
	US STD	METRIC
Type		
Power Rating	160 bhp	119 kW
Rated Speed	2200 rpm	2200 rpm
Peak Torque	460 lb ft	624 Nm
Peak Torque	1500 rpm	1500 rpm
Bore & Stroke	4.02 in x 5.42 in	102mm x 120 mm
Piston Displacement	275 cu ins	4.5 litres
Oil System Capacity	11.6 qts	10.9 litres
Coolant Capacity	22 qts	21 litres
Engine Weight (Wet)*	865.31 lb	392.5 kg
Compak Weight (Wet)*	1082 lb	491 kg

\* Standard Specification

## Schematics.



## Warranty Coverage.

Cummins base engine coverage is 2 years or 2,000 hours of operation, or 1 year/unlimited hours of operation, whichever comes first.

It covers:

■ Full parts and labour on warrantable failures.

■ Consumables not reusable due to warrantable failures.



Extended Major Components coverage is 3 years or 10,000 hours of operation, whichever occurs first from the delivery date, and becomes active at the expiry of the base engine warranty. It covers:

■ Warrantable failures of covered components. Bushing and bearing failures not included.

Package Units – CPAK – FPAK - COMPAK

When a product is defined as a Package Unit, all components of the product which were purchased from Cummins South Pacific as a packaged product have the same Base Engine Warranty coverage as the engine.

Package units built by Cummins South Pacific when the following components, as a minimum, are purchased from Cummins:

- Engine
- Pedestal Feet
- Radiator
- Fan

Conditions apply. Full warranty details can be found in the Industrial Cummins Warranty brochure (Bulletin 3381322).

Warrantable failures includes defect in material or factory workmanship. Covered components includes engine cylinder block, camshaft, crankshaft and connecting rods.

Cummins  
COMPAK.

Designed in  
Australia.

Made in  
Australia.

For Australian  
conditions.