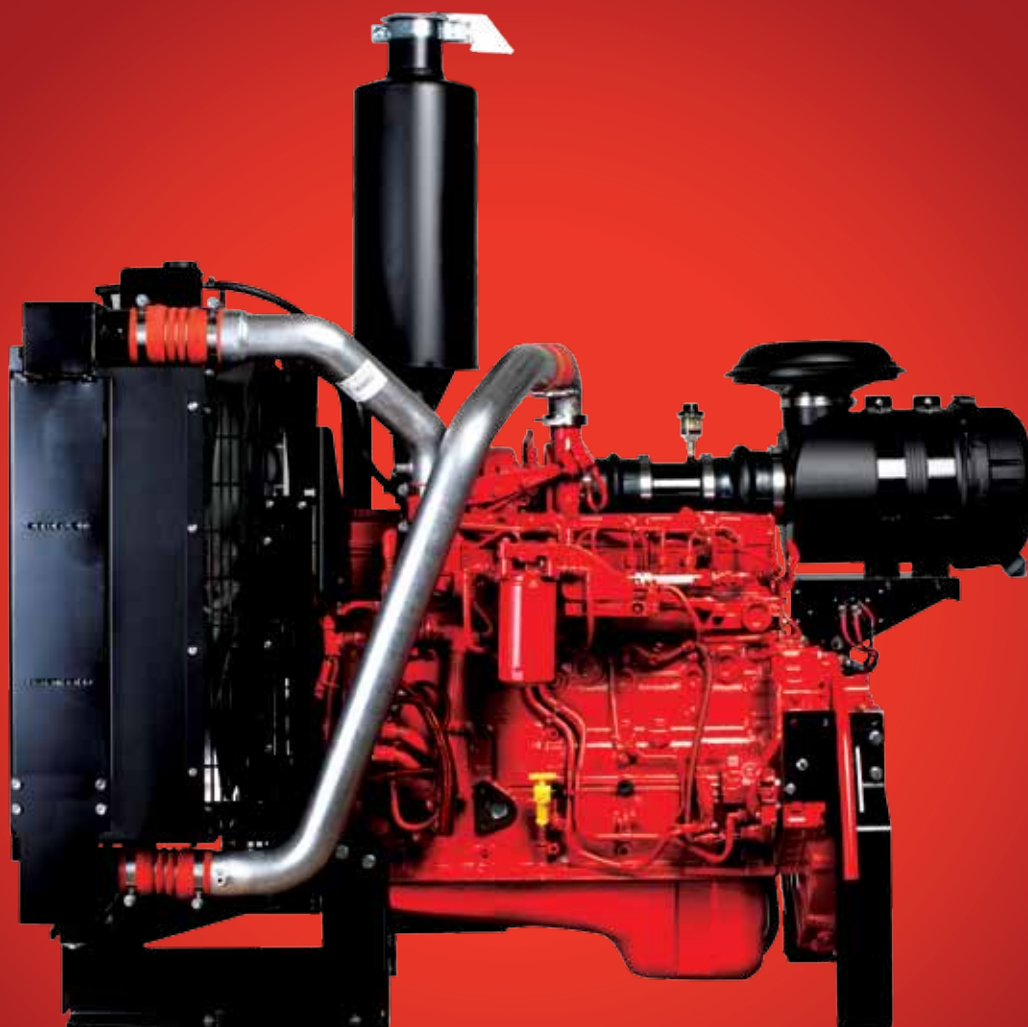


Every solution.

QSB6.7 - Tier 3.  
ComPak.



# QSB6.7 - Tier 3. ComPak.

## Features and benefits.

### ■ USEPA Tier 3 emissions certification

Cummins' QSB6.7 engine meets the latest USEPA Tier 3 emissions certification requirements.

### ■ Full authority electronic controls

Electronic engine control provides improved fuel economy, precision diagnostics and engine protection.

### ■ High-pressure common-rail fuel system

Allows multiple injection events for cleaner, quieter operation with consistent performance at every rpm.

### ■ Air cleaner

Heavy duty industrial air cleaners, with safety elements and restriction indicators included.

### ■ Pedestal leg mounting

### ■ Cooling system

Heavy duty, 50°C ambient capable radiator assembly and guarding incorporating jacket water and charge air cooling. Blower fan arrangement.

### ■ Exhaust

Integral industrial class exhaust silencer with rain cap. Residential grade silencer available as an option.

### ■ Instrument panel

Digital display for engine monitoring, with shut down protection, J1939 communication and programmable throttle control. Isolated inner panel with an outer protective box.

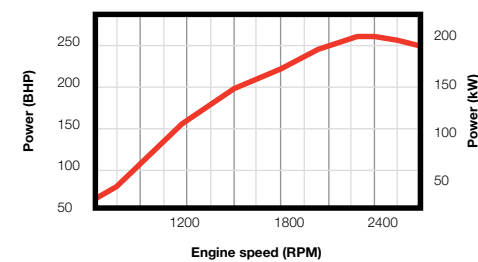
## Performance

INTERMITTENT		CONTINUOUS		TORQUE		FUEL CONSUMPTION		
RPM	HP	kW	HP	kW	LB-FT	N-m	LB/HP-HR	g/kw-hr
800	76	57	NA	NA	500	678	0.372	226
1,000	114	85	NA	NA	600	813	NA	NA
1,300	178	133	NA	NA	720	976	0.355	216
1,400	193	144	NA	NA	725	983	0.363	221
1,500	208	155	199	148	730	990	NA	NA
1,600	219	163	202	150	720	976	0.358	218
1,800	236	176	205	153	690	936	0.362	220
2,000	252	188	203	151	661	896	0.372	226
2,300	270	201	NA	NA	617	837	NA	NA
2,500	260	194	NA	NA	546	740	0.396	241

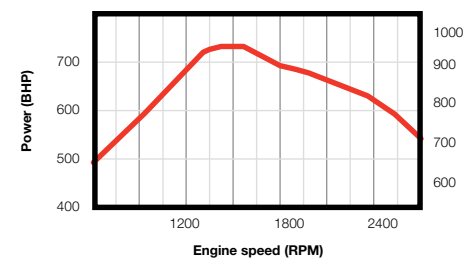
Performance figures shown are SAE and do NOT include cooling fan and other parasitic losses. Specifications may change without notice.

Note: Engine should not be operated continuously at peak torque.

### Intermittent power



### Intermittent torque

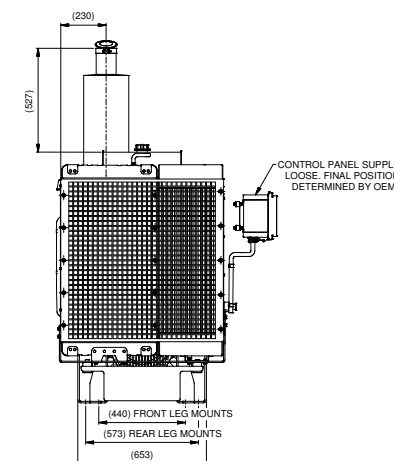
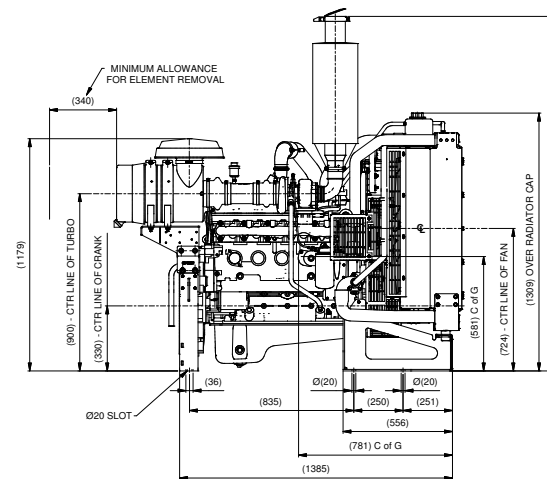
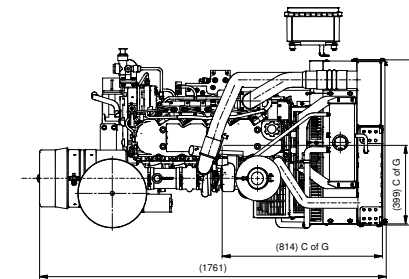


## Specifications

	US STD	METRIC
Type	Four-stroke, turbocharged, in-line, four cylinder diesel engine	
Power rating	260 bhp	194 kW
Rated speed	2500 rpm	2500 rpm
Peak torque	728 lb ft	987 Nm
Peak torque	1500 rpm	1500 rpm
Bore & stroke	4.12 x 4.88 in	107 x 124 mm
Piston displacement	409 cu ins	6.7 litres
Oil system capacity	15.25 qts	14.2 litres
Coolant capacity	28.21 qts	26.7 litres
Engine weight (wet)*	1069 lb	458 kg
ComPak weight (wet)*	1691 lb	767 kg

\* Standard specification

## Schematics.



## Warranty coverage.

Cummins base engine coverage is 2 years or 2,000 hours of operation, or 1 year/unlimited hours of operation, whichever comes first.

It covers:

■ Full parts and labour on warrantable failures.

■ Consumables not reusable due to warrantable failures.



Extended Major Components coverage is 3 years or 10,000 hours of operation, whichever occurs first from the delivery date, and becomes active at the expiry of the base engine warranty.

It covers:

■ Warrantable failures of covered components. Bushing and bearing failures not included.

Package units – CPAK – FPAK - ComPak

When a product is defined as a package unit, all components of the product which were purchased from Cummins South Pacific as a packaged product have the same Base Engine Warranty coverage as the engine.

Package units built by Cummins South Pacific when the following components, as a minimum, are purchased from Cummins:

- Engine
- Pedestal feet
- Radiator
- Fan

Conditions apply. Full warranty details can be found in the Industrial Cummins Warranty brochure (Bulletin 3381322).

Warrantable failures includes defect in material or factory workmanship. Covered components includes engine cylinder block, camshaft, crankshaft and connecting rods.

Cummins  
ComPak.

Designed in  
Australia.

Made in  
Australia.

For Australian  
conditions.

**Customer support -  
Every place you need it.**

Cummins has the most comprehensive service support network in the South Pacific with 41 company-owned branches, more than 170 dealers, and over 240 field service vehicles.

In addition, customers in Australia and New Zealand can call the Australian-based Cummins Support Centre any time of the day, any day of the year, for breakdown assistance or technical advice. All you need to do is ring a single number – 1300 CUMMINS (if you're in Australia) or 0800 CUMMINS (if you're in New Zealand) – and you can speak directly to a highly experienced Cummins service technician.

With Cummins you're not just buying an engine, you're buying a partnership with all the support, services and parts you need.



**The Cummins Support Centre boasts a team of highly experienced service technicians who are based at a dedicated facility in Melbourne.**

**Everywhere.  
Cummins locations.**

**AUSTRALIA**

**New South Wales**

Dubbo	02 6881 8260
Grafton	02 6641 1000
Leeton	02 6953 3077
Muswellbrook	02 6541 0611
Newcastle	02 4964 8466
Orange	02 6360 2777
Queanbeyan	02 6297 3433
Sydney	02 9616 5300
Tamworth	02 6765 5455
Wollongong	02 4227 2444

**Tasmania**

Devonport	03 6424 8800
Hobart	03 6262 5700

**Victoria**

Campbellfield	03 9357 9200
Laverton	03 8368 0800
Mildura	03 5022 0800
Pakenham	03 5943 3700
Swan Hill	03 5033 1511
Wodonga	02 6024 3655

**Northern Territory**

Darwin	08 8947 0766
--------	--------------

**Western Australia**

Bunbury	08 9725 6777
Geraldton	08 9964 5449
Kalgoorlie	08 9080 1300
Karratha	08 9144 4646
Perth	08 9475 8777

**Queensland**

Brisbane	07 3710 4700
Cairns	07 4035 2999
Cloncurry	07 4742 0088
Emerald	07 4983 9000
Mackay	07 4952 8100
Toowoomba	07 4633 7627
Townsville	07 4774 7733

**NEW ZEALAND**

Auckland	09 277 1000
Bay Of Plenty	07 345 6699
Palmerston Nth	06 356 2209
Whangarei	09 438 8892

**South Australia**

Adelaide	08 8368 4300
Mount Gambier	08 8725 6422
Port Lincoln	08 8683 1967

**PAPUA NEW GUINEA**

Lae	05 472 3699
Port Moresby	05 323 2471

**BRANCH/DEALER STAMP**



For Australia

**1300Cummins**  
Ph 1300 286 646

For New Zealand

**0800Cummins**  
Ph 0800 286 646



Cummins Head Office  
2 Caribbean Drive  
Scoresby Vic 3179 Australia  
Phone 613 9765 3222  
Fax 613 9763 0079  
[www.southpacific.cummins.com](http://www.southpacific.cummins.com)