

Q  
S  
C  
B  
3

## CUSTOM PAK FEATURES

### HARDWARE

- Heavy duty cooling package
  - 50°C ambient capability
  - Air-to-air charge air cooling with bolted top and bottom stainless steel tanks
  - Sucker fan
  - Integrated fuel cooler
  - Bolted top and bottom radiator tanks
  - Long life coolant
- Heavy section base frame with option of extended rails for pump mounting
- Heavy duty 2-stage air cleaner with safety element
- Integral residential-class exhaust silencer with rain cap
- Mounted instrument panel (also remote mountable)
- Total package fully warranted

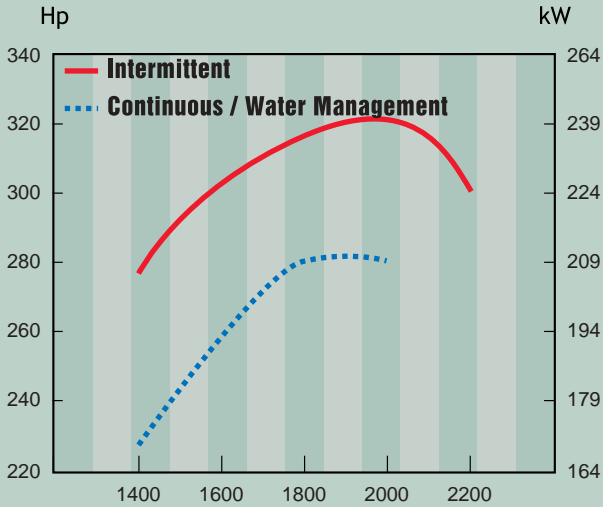
### ELECTRONIC

- Programmable ratings
- Engine protection
- Multi-unit synchronisation
- Low idle speed adjust
- 4-step switched throttle
- Low idle shutdown
- Electronic instrumentation
- Duty cycle monitor
- Water in fuel warning
- Maintenance monitor
- OEM switched input
- Engine hour meter
- 12 Volt electrics
- Run timer (optional)
- Loss of prime protection (optional)

# QSC8.3

## SPECIFICATIONS

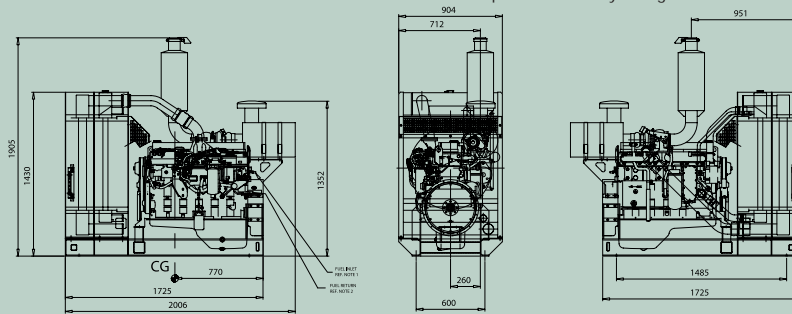
Six Cylinder, Full Authority Electronic, In-Line Diesel Engine, Four-Stroke Cycle, Turbocharged



	US STD	Metric
Power Rating	300 Hp	224 kW
Rated Speed	2200 RPM	2200 RPM
Peak Torque	1002 lb-ft	1358 Nm
Peak Torque RPM	1400 RPM	1400 RPM
Bore & Stroke	4.49 x 5.31 ins	114 x 135 mm
Piston Displacement	506 cu-ins	8.29 L
Oil System Capacity	24.3 US qts	22.9 L
Coolant Capacity	40.8 US qts	38.5 L
Flywheel Housing	SAE 2	SAE 2
Flywheel	SAE 2 (11.5" adaption)	
Wet Weight (Eng.)	1594 lbs	723 kg
Custom Pak Weight (Wet)	2581lbs	1171 kg

CPL 2481

- Performance figures shown are SAE and do NOT include Cooling Fan and other parasitic losses.
- Specifications may change without notice.



## PERFORMANCE

RPM	Intermittent Power		Continuous / Water Management Power		Intermittent Torque		Fuel Consumption			
	HP	kW	HP	kW	lb-ft	N.m	lb/Hp-hr	g/kW-hr	lb/Hp-hr	g/kW-hr
1400	267	199	227	169	1000	1356	0.335	204	0.338	206
1500	286	213	243	181	1000	1356	0.335	204	0.336	204
1600	305	227	259	193	1000	1356	0.336	204	0.335	204
1700	310	231	270	201	960	1302	0.340	207	0.338	206
1800	315	235	280	209	920	1248	0.344	209	0.342	208
1900	318	237	281	210	880	1194	0.347	211	0.345	210
2000	320	239	280	209	840	1139	0.349	212	0.349	212
2100	310	231	-	-	778	1055	0.354	215	-	-
2200	300	224	-	-	716	971	0.358	218	-	-

**BRANCHES: AUSTRALIA: NSW:** Grafton Ph: (02) 6642 3655 Leeton Ph: (02) 6953 3077 Newcastle Ph: (02) 4964 8466 Penrith Ph: (02) 4729 1313 Queanbeyan Ph: (02) 6297 3433 Scone Ph: (02) 6545 2349 Tamworth Ph: (02) 6765 5455 Wetherill Park Ph: (02) 9616 5300

**VIC:** Campbellfield Ph: (03) 9357 9200 Dandenong Ph: (03) 9706 8088 Laverton Ph: (03) 9360 0800 Swan Hill Ph: (03) 5033 1511 Wodonga Ph: (02) 6024 3655

**QLD:** Cairns Cummins Nerco Ph: (07) 4035 2999 Darra Ph: (07) 3375 3277 Emerald Ph: (07) 4982 4022 Mackay Ph: (07) 4955 1222 Townsville Ph: (07) 4774 7733

**SA:** Adelaide Ph: (08) 8262 5211 Mount Gambier Ph: (08) 8725 6422

**WA:** Bunbury Ph: (08) 9725 6777 Kalgoorlie Ph: (08) 9021 2588 Karratha Ph: (08) 9144 4646 Perth Ph: (08) 9475 8777

**NT:** Darwin Ph: (08) 8947 0766

**TAS:** Devonport Ph: (03) 6424 8800

**PAPUA NEW GUINEA:** Lae Ph: 675 472 3699 Port Moresby Ph: 675 323 2471

**NEW ZEALAND:** Auckland Ph: (09) 579 0085 Christchurch Ph: (03) 348 8170 Dunedin Ph: (03) 477 8818 Palmerston North Ph: (06) 356 2209 Bay of Plenty Ph: (07) 345 6699

Website: [www.cumminsengine.com.au](http://www.cumminsengine.com.au)

BULLETIN CPR 519  
ST/OUT 3346 - 06/01

