

DESIGNED TO DELIVER MORE

Performance | Durability | Serviceability



THE 26 – 220 KVA RANGE

The new 26 – 220 kVA range
...Designed to Deliver More.



We understand the unique needs of generator set customers around the world. Forty five years experience combined with the latest technology and a focus on engineering excellence has driven the development of the class leading product line we offer today.

We have a reputation for quality within our already successful 26 – 220 kVA power range. Our redesigned range confirms our position as a global leader in the design and manufacture of generator sets and demonstrates our commitment to continuous product improvement. Our latest product development sees us introduce bold new enhancements. Every single model in the new range has been Designed to Deliver More... offering improved performance, durability and serviceability. The new 26 – 220 kVA range offers you outstanding value for money and in turn guarantees maximum efficiency and productivity.

Designed to Deliver More, this exciting product redesign deserves a closer look...

**DESIGNED TO
DELIVER MORE**
Performance | Durability | Serviceability

Open Set Range

A series of subtle yet significant enhancements have been introduced to the 26 – 220 kVA open generator set range, most notably a common sense component arrangement, facilitating greater operator access and service. The new range continues to employ the power and efficiency delivered by the world-renowned Perkins engines and is available in EU Stage II/III emissions compliant variants.



The mounting arrangement now sees the most frequently serviced parts mounted on the same side of the generator set and incorporates grouped fuel connections. This arrangement is conducive to minimal maintenance times and maximum generator set operation and up time.



A wide fuel fill neck on the base frame allows easy access and fill by the operator, avoiding spills. The fuel tank is designed for 8 hours running at full load in prime applications.



The control panel tower mounted on the side of the generator set, encompasses a full-height door allowing total access to all components and wiring.



Drag points on the base frame ease transportation and reduce the risk of damage during forklift and other handling.



A robustly constructed base frame, paint-coated using advanced processes, offers optimum corrosion resistance. Combined with other enhancements, improvements to generator set performance, durability and serviceability are guaranteed.



A galvanised steel construction, an advanced powder coat paint process and features offering protection against handling damage as standard make our enclosure range the most robust in its class. A base frame which extends beyond the enclosure reduces handling damage, whilst side-hinged doors enhance maintenance access and hook latches ensure operator safety by preventing unintended closure. Access for radiator cleaning and maintenance is through easily removed end panels.

26 – 220 kVA Enclosed Range

The 26 – 220 kVA enclosed set range has evolved to new levels of quality with a fresh design that lends itself to optimum performance, durability and serviceability...allowing it to meet the challenges of diverse applications. Performance enhancements span the areas of robustness, cooling, noise, water ingress and a lot more...



Lift-off hinges allow doors to be totally removed, even at an angle of 45°, facilitating service in the most confined installation spaces. Side-hinged doors on each side of the enclosure allow access to the control panel whilst the generator set is running.



A robust, single piece main roof incorporates, flush-mounted rain caps with compression seals, allowing access to the radiator fill and single point lift whilst providing unrivalled protection against water ingress.



The redesign incorporates unique modular air handling units that contribute to significant reduction in noise output. Corner posts, manufactured from a high-grade composite material, offer optimum corrosion resistance and provide excellent protection against damage during handling and transportation. Similarly, the unique modular air-handling units offer optimum corrosion resistance, whilst adding to the enclosure's strong, stylish design.



A removable gland plate offers ample cable access for a bend radius of 8 times the outside diameter of single core cable (up to 300 mm diameter), whilst preventing rodent access.

Rating Summary

SINGLE PHASE MODELS

26 – 220 kVA MODELS														
			50 Hz				60 Hz							
Model	Engine	Alternator	Prime		Standby		Prime		Standby		Dimensions			
			kVA	kW	kVA	kW	kVA	kW	kVA	kW	Length (mm)	Width (mm)	Height (mm)	Weight (kg)
P26-1S	1103A-33G1	LLB1514J	24.0	24.0	26.0	26.0	–	–	–	–	1540	970	1361	843
P40-1S	1103A-33TG1	LLB1514P	36.0	36.0	40.0	40.0	40.0	40.0	45.0	45.0	1925	1120	1361	887
P50-1S	1103A-33TG2	LL2014J	45.0	45.0	50.0	50.0	50.0	50.0	55.0	55.0	1925	1120	1361	1020

3-PHASE MODELS

26 – 220 kVA MODELS														
			50 Hz				60 Hz							
Model	Engine	Alternator	Prime		Standby		Prime		Standby		Dimensions			
			kVA	kW	kVA	kW	kVA	kW	kVA	kW	Length (mm)	Width (mm)	Height (mm)	Weight (kg)
P33-1	1103A-33G1	LL1514F	30.0	24.0	33.0	26.4	33.8	27.0	37.5	30.0	1540	970	1361	843
P50-1	1103A-33TG1	LL1514L	45.0	36.0	50.0	40.0	50.0	40.0	56.3	45.0	1925	1120	1361	871
P55-1	1103A-33TG2	LL1514N	50.0	40.0	55.0	44.0	56.3	45.0	62.5	50.0	1925	1120	1361	876
P65-1	1103A-33TG2	LL1514P	60.0	48.0	65.0	52.0	68.8	55.0	75.0	60.0	1925	1120	1361	887
P88-1	1104A-44TG2	LL2014J	80.0	64.0	88.0	70.4	90.0	72.0	100.0	80.0	1925	1120	1361	1096
P150-1	1006TAG	LL3014E	135.0	108.0	150.0	120.0	150.0	120.0	165.0	132.0	2500	1120	1470	1585
P165-1	1006TAG2	LL3014F	150.0	120.0	165.0	132.0	–	–	–	–	2500	1120	1552	1640
P200-1	1106A-70TAG3	LL5014D	180,0	144,0	200,0	160,0	–	–	–	–	2500	1120	1552	1718
P220-1	1106A-70TAG4	LL5014F	200.0	160.0	220.0	176.0	–	–	–	–	2500	1320	1626	1758

Ratings are based on maximum generator set output - this may vary depending on voltage code selected

Rating Summary

SINGLE PHASE MODELS

26 – 220 kVA EU STAGE II/III MODELS														
			50 Hz				60 Hz							
Model	Engine	Alternator	Prime		Standby		Prime		Standby		Dimensions			
			kVA	kW	kVA	kW	kVA	kW	kVA	kW	Length (mm)	Width (mm)	Height (mm)	Weight (kg)
P26-4S†	1103D-33G3	LLB1514J	24.0	24.0	26.0	26.0	–	–	–	–	1540	970	1361	843
P40-2S	1103C-33TG2/3	LLB1514P	36.0	36.0	40.0	40.0	–	–	–	–	1925	1120	1361	879
P50-4S†	1104D-44TG2/3	LL2014J	45.0	45.0	50.0	50.0	–	–	–	–	1925	1120	1361	1060
P80-2S	1104C-44TAG2	LL3014F	72.0	72.0	80.0	80.0	82.0	82.0	90.0	90.0	2089	1120	1367	1310
P80-4S†	1104D-E44TAG2	LL3014F	72.0	72.0	80.0	80.0	-	-	-	-	2089	1120	1367	1387

3-PHASE MODELS

26 – 220 kVA EU STAGE II/III† MODELS														
			50 Hz				60 Hz							
Model	Engine	Alternator	Prime		Standby		Prime		Standby		Dimensions			
			kVA	kW	kVA	kW	kVA	kW	kVA	kW	Length (mm)	Width (mm)	Height (mm)	Weight (kg)
P33-4†	1103D-33G3	LL1514F	30.0	24.0	33.0	26.4	–	–	–	–	1540	970	1361	843
P50-2	1103C-33TG2/3	LL1514L	45.0	36.0	50.0	40.0	–	–	–	–	1925	1120	1361	863
P55-2	1104C-44TG2/3	LL1514N	50.0	40.0	55.0	44.0	–	–	–	–	1925	1120	1361	916
P65-4†	1104D-44TG2/3	LL1514P	60.0	48.0	65.0	52.0	–	–	–	–	1925	1120	1361	927
P88-4†	1104D-E44TAG1	LL2014J	80.0	64.0	88.0	70.4	-	-	-	-	2089	1120	1367	1217
P110-2	1104C-44TAG2	LL3014B	100.0	80.0	110.0	88.0	113.0	90.4	125.0	100.0	2089	1120	1367	1200
P110-4†	1104D-E44TAG2	LL3014B	100.0	80.0	110.0	88.0	-	-	-	-	2089	1120	1367	1320
P150-2	1106C-E66TAG2	LL3014E	135.0	108.0	150.0	120.0	–	–	–	–	2500	1120	1528	1625
P165-2	1106C-E66TAG3	LL3014F	149.6	119.7	165.0	132.0	–	–	–	–	2500	1120	1528	1680
P200-2	1106C-E66TAG4	LL5014D	180.0	144.0	200.0	160.0	196.3	157.0	217.5	174.0	2500	1320	1626	1718

Ratings are based on maximum generator set output - this may vary depending on voltage code selected

Rating Summary – Brazil Models

The generator set models listed below are available from our manufacturing facility in Brazil.

SINGLE PHASE MODELS

26 – 220 kVA MODELS														
			50 Hz				60 Hz							
Model	Engine	Alternator	Prime		Standby		Prime		Standby		Dimensions			
			kVA	kW	kVA	kW	kVA	kW	kVA	kW	Length (mm)	Width (mm)	Height (mm)	Weight (kg)
P35-3S*	1104A-44G	LL2014H	32.0	32.0	35.0	35.0	36.0	36.0	40.0	40.0	1925	1120	1361	1023
P40-1S	1103A-33TG1	LLB1514P	36.0	36.0	40.0	40.0	40.0	40.0	45.0	45.0	1925	1120	1361	887
P50-1S	1103A-33TG2	LL2014J	45.0	45.0	50.0	50.0	50.0	50.0	55.0	55.0	1925	1120	1361	1020
P50-3S*	1104A-44TG1	LL2014J	45.0	45.0	50.0	50.0	50.0	50.0	55.0	55.0	1925	1120	1361	1098

3-PHASE MODELS

26 – 220 kVA MODELS														
			50 Hz				60 Hz							
Model	Engine	Alternator	Prime		Standby		Prime		Standby		Dimensions			
			kVA	kW	kVA	kW	kVA	kW	kVA	kW	Length (mm)	Width (mm)	Height (mm)	Weight (kg)
P44-1*	1104A-44G	LL2014C	40.0	32.0	44.0	35.2	45.0	36.0	50.0	40.0	1925	1120	1361	973
P50-1	1103A-33TG1	LL1514L	45.0	36.0	50.0	40.0	50.0	40.0	56.3	45.0	1925	1120	1361	871
P55-1	1103A-33TG2	LL1514N	50.0	40.0	55.0	44.0	56.3	45.0	62.5	50.0	1925	1120	1361	876
P65-1	1103A-33TG2	LL1514P	60.0	48.0	65.0	52.0	68.8	55.0	75.0	60.0	1925	1120	1361	887
P65-3*	1104A-44TG1	LL2014H	60.0	48.0	65.0	52.0	68.8	55.0	75.0	60.0	1925	1120	1361	1058
P88-1	1104A-44TG2	LL2014J	80.0	64.0	88.0	70.4	90.0	72.0	100.0	80.0	1925	1120	1361	1120
P110-2	1104C-44TAG2	LL3014B	100.0	80.0	110.0	88.0	113.0	90.4	125.0	100.0	2089	1120	1367	1200
P150-1	1006TAG	LL3014F	135.0	108.0	150.0	120.0	150.0	120.0	165.0	132.0	2500	1120	1470	1640
P200-2	1106C-E66TAG4	LL5014D	180.0	144.0	200.0	160.0	196.9	157.5	218.8	175.0	2500	1320	1626	1758

Ratings are based on maximum generator set output - this may vary depending on voltage code selected

* Domestic market only

Standard and Optional Features

STANDARD FEATURES

Robust steel constructed base frame	IP23 Protection for alternator	Lube oil drain valve
8 hr fuel tank	Fully adjustable electronic governor*	Coolant drain valve
50% antifreeze (Protection to -36°C)	Engine-mounted battery charging alternator	Battery connection cables, tray and clamp
3-POLE circuit breaker	Engine-mounted fuel/water separator	DCP-10 / PowerWizard 1.1 control panel (Model dependant)

OPTIONAL FEATURES

CE certification	Bunded base tank (12 hr, DEFRA)	Low fuel level shutdown
Sound attenuated EC enclosure	Static battery charger	Low fuel level alarm
Sound attenuated metal enclosure	Remote fuel system connection	High fuel level alarm
Compact baseframe (available on P200-2 / P220-1 open sets only)	Manual fuel pump	Low coolant temperature alarm
Control panel upgrades available	Lube oil drain pump	Low coolant level shutdown
Automatic transfer switches	Electronic governor*	Anticondensation heater for alternator
Industrial silencer (10 dB)	Permanent magnet excitation system and upgraded AVR options	Coolant heater
Residential silencer (25 dB)	Lube oil temperature shutdown	Combined stoneguard and transition flange
Critical silencer (35 dB)	Single point lift	Battery
Silencer installation kit	1002T control panel	PowerWizard 1.1+ / 2.1 control panel

* – Electronic governor standard on: P80-2S, P80-4S, P88-4, P110-2, P110-4, P150-1, P150-2, P165-1, P165-2, P200-1, P200-2, P220-1

RENTAL OPTIONS

Rental pack:	Additional Options:
3 way fuel valves	CEE form sockets
Fuel/water separators	Socket blanking plate
Battery isolator switch	
Breaker terminal extensions	
Base feet	

Generator set Operation and Control

Accompanying the new 26 – 220 kVA product range is a new suite of control panels. From the 1002T analogue panel to the PowerWizard range of digital control panels, FG Wilson brings you choice and flexibility as standard*.



FG Wilson DCP-10

The FG Wilson DCP range allows you to monitor and control your generator set with ease, providing important diagnostic information whilst ensuring your unit operates within safe parameters.

Key information is displayed via the LCD screen and LED's using universally recognised symbols.



PowerWizard Range

Our PowerWizard range of digital control panels combine straight-forward menu navigation with advanced metering and protection technology.

These panels allow easy generator set monitoring and control, whilst ensuring your unit operates within safe parameters and provides important diagnostic information when needed.

Control panel – Generator set model configuration

Generator Set Model	DCP-10	PW 1.1
Single Phase		
P26-1S	●	○
P26-4S	●	○
P35-3S	●	○
P40-1S	●	○
P40-2S	●	○
P50-1S	●	○
P50-3S	●	○
P50-4S	●	○
P80-2S	●	○
P80-4S	-	●
3-Phase		
P33-1	●	○
P33-4	●	○
P44-1	●	○
P50-1	●	○
P50-2	●	○
P55-1	●	○
P55-2	●	○
P65-1	●	○
P65-3	●	○
P65-4	-	●
P88-1	●	○
P88-4	-	●
P110-2	●	○
P110-4	-	●
P150-1	●	○
P150-2	●	○
P165-1	●	○
P165-2	●	○
P200-1	●	○
P200-2	-	●
P220-1	●	○

● – Standard ○ – Optional

*1002T, PowerWizard 1.1+ and 2.1 will be available as an option on selected models

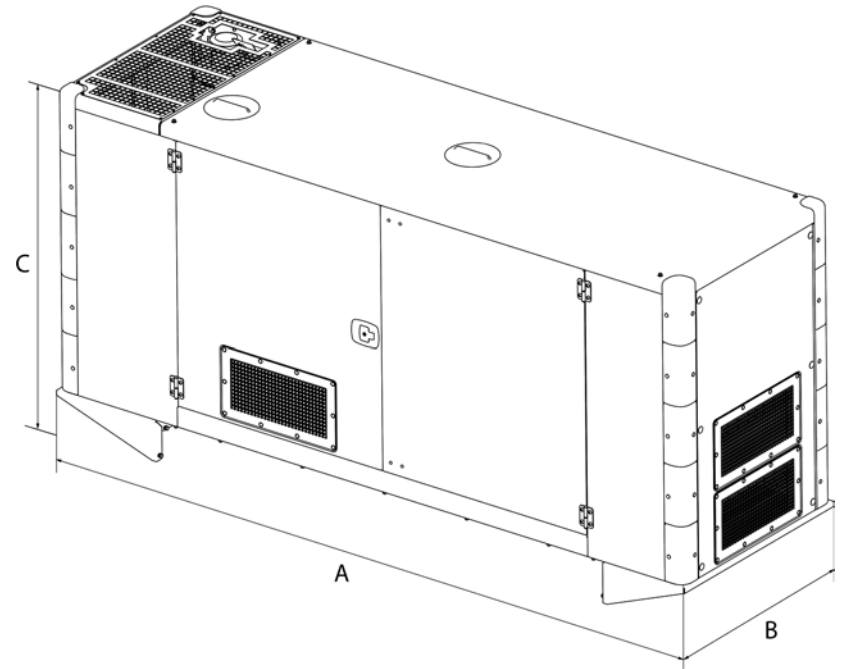
Enclosure Data

SINGLE PHASE MODELS

MODEL	DIMENSIONS		
	A	B	C
	Length (mm)	Width (mm)	Height (mm)
P26-1S – P26-4S	2120	970	1525
P35-3S – P50-4S	2300	1120	1525
P80-2S – P80-4S	2770	1120	1525

3-PHASE MODELS

MODEL	DIMENSIONS		
	A	B	C
	Length (mm)	Width (mm)	Height (mm)
P33-1 – P33-4	2120	970	1525
P44-1 – P88-1	2300	1120	1525
P88-4 – P110-4	2770	1120	1525
P150-1 – P165-2	3520	1120	1815
P200-1 – P220-1	3520	1320	1815



Our Global Dealer Network

FG Wilson is a world leader in the supply of diesel and gas powered generator sets. With over 45 years experience and a network of 370 Dealers in over 150 countries, we deliver electric power product and expertise around the globe. With global production facilities in Brazil, China, India, USA and at company headquarters in Northern Ireland, our manufacturing operations cover a combined area of over 186,000 sq. metres – from which we have capacity to produce more than 130,000 generator sets each year.

Our product range, 5.5 – 2,500 kVA, includes open and enclosed generator sets for any type of application, from standby domestic use to power modules that supplement national grids.

Unlike other generator set suppliers, we don't just build products. From initial assessment of your power needs...to implementation of a solution...through round the clock technical support, FG Wilson, in partnership with our Global Dealer Network provide a complete end-to-end service through the entire life cycle of your generator set. An official FG Wilson Dealer can ensure that factory trained, specialist technicians, with access to the full range of FG Wilson genuine parts and tools, will always be on hand to guarantee that every fitting, or repair, is carried out exactly the way we intended.



