

# Kohler® Diesel

## Model KD350D

1 Cylinder » 349 cc » 5.0 kW/6.7 HP » 3600 RPM » 12.2 ft. lbs@2400 RPM

### Certification

EPA TIER 2  
ECE R 24

### Features

- 4-Stroke Air-Cooled Diesel Engine
- SAE J609a Crankshaft
- Counter-Clockwise Rotation
- Direct Injection
- Full-Pressure Lubrication with Oil Pump
- Centrifugal Mass Governor
- Built-In Full Flow Oil Filter
- Oil Breathing Blow-By with Safety Device
- Automatic Extra Fuel Starting Device
- Self-Bleeding Fuel System
- Torque Regulator
- Automatic Compression Release
- Die-Cast Aluminum Crankcase with Integral Cast-Iron Cylinder Liner
- Aluminum Alloy Cylinder Head
- Mounting Feet

### Applications

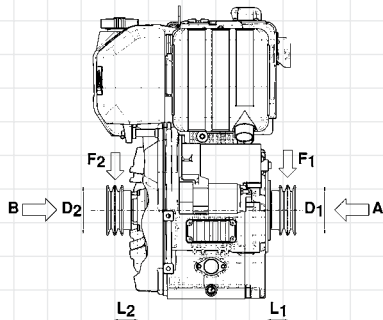
- Two-Wheel Tractor
- Agricultural Mower
- Agricultural Pump
- High-Pressure Cleaner
- Generator
- Vibrating Plate
- Hydraulic Power Pack
- Arrowboard



# Kohler® Diesel Model KD350D

## Specifications

Cylinders	No. of cylinders	1
Displacement	cc/cu. in.	349/21.3
Bore	mm/in.	82/3.2
Stroke	mm/in.	66/2.6
Compression Ratio		20.3:1
Rating kW/HP	N (80/1269/CEE) ISO 1585	5/6.7
	NB ISO 3046 IFN	4.6/6.2
	NA ISO 3046 ICXN	4.1/5.5
Max. Torque	N·m/ft. lbs. @ 2400 RPM	16.6/12.2
Minimum Idling Speed		950-1000
Fuel Tank Capacity	liters/quarts	4.3/4.5
Oil Consumption	kg/h/lb/h	0.0032/0.007
Oil Capacity	liters/quarts	1.2/1.3
Min. Allowable Oil Pressure	bar/psi	1-1.5/14.5-21.8
Max. Allowable Angle of Operation (Peak Values)		25° (35°)
Volume of Air Required for Correct Combustion @ 3600 RPM	liters/min/cfm	540/19
Volume of Air Required for Correct Cooling @ 3600 RPM	liters/min/cfm	5000/177
Dry Weight	kg/lbs.	33/72.7
Recommended Battery	V/Ah	12/44
Minimum Pulley Diameters for Belt Drive		



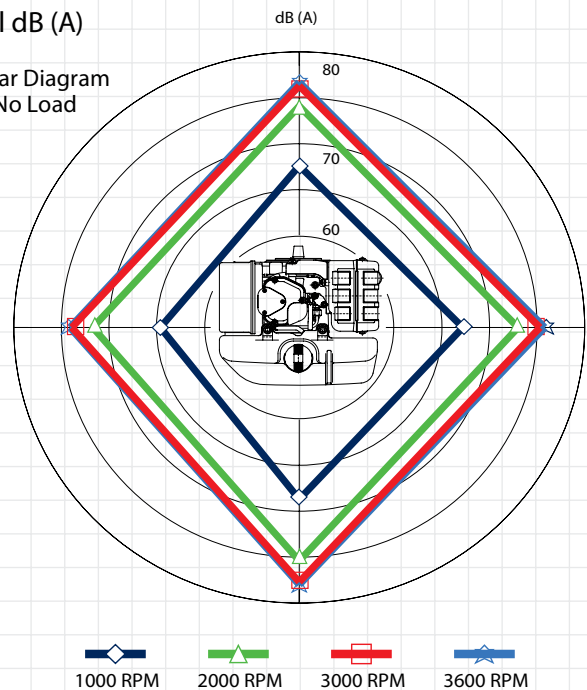
$$D_1 \text{ 820 (mm)} \geq \frac{[55+L_1 \text{ N/n}] \text{ N (kW)}}{n \text{ (RPM)}}$$

$$D_2 \text{ (mm)} \geq \frac{860 [60+L_2 \text{ (mm)}] \text{ N (kW)}}{n \text{ (RPM)}}$$

Max. Allowable Axial Load in Both Directions A-B = 200 kg/441 lb<sub>f</sub>

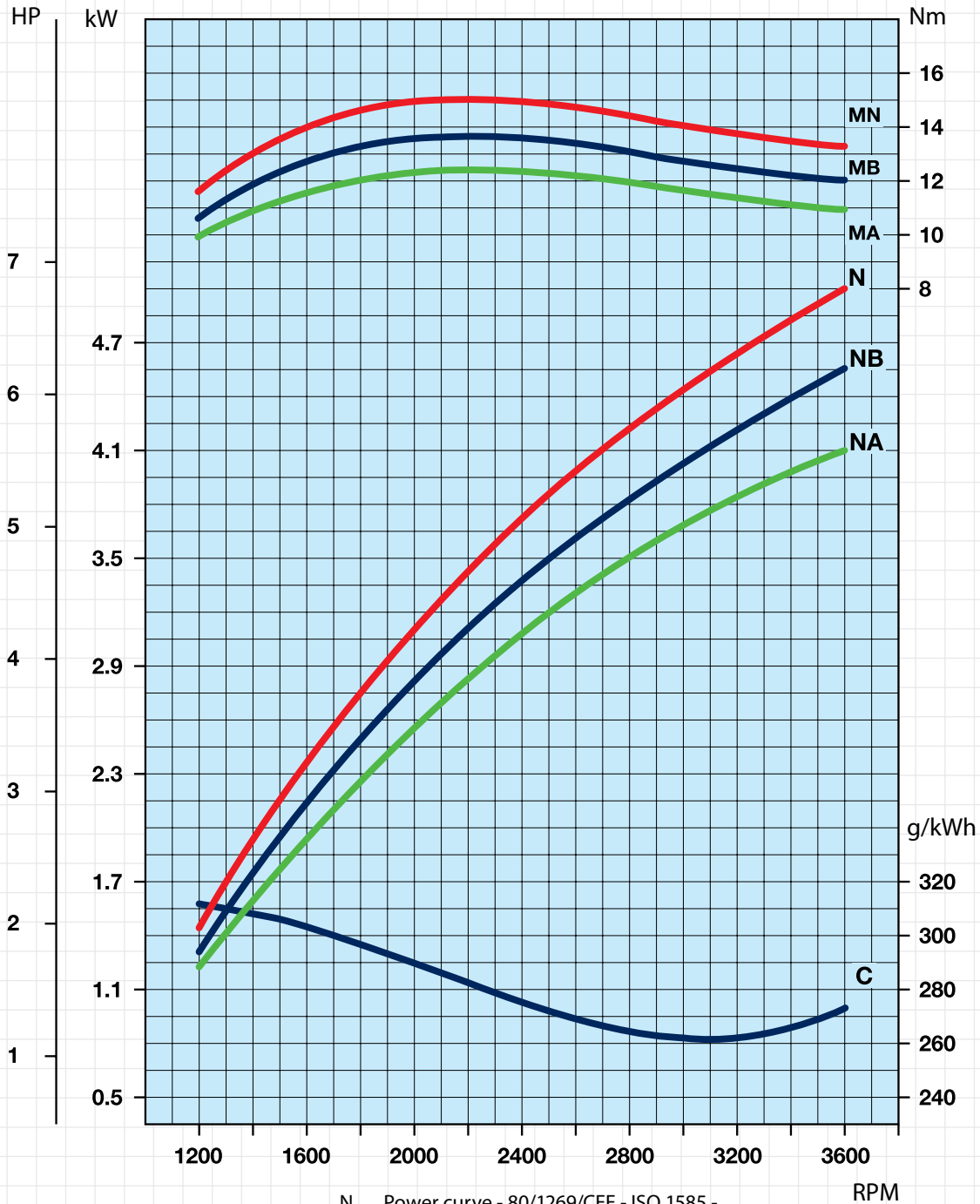
### Sound Pressure Level dB (A)

Sound Pressure Level Polar Diagram  
Open Field at 7 Meters - No Load  
Running Engine.



# Kohler® Diesel Model KD350D

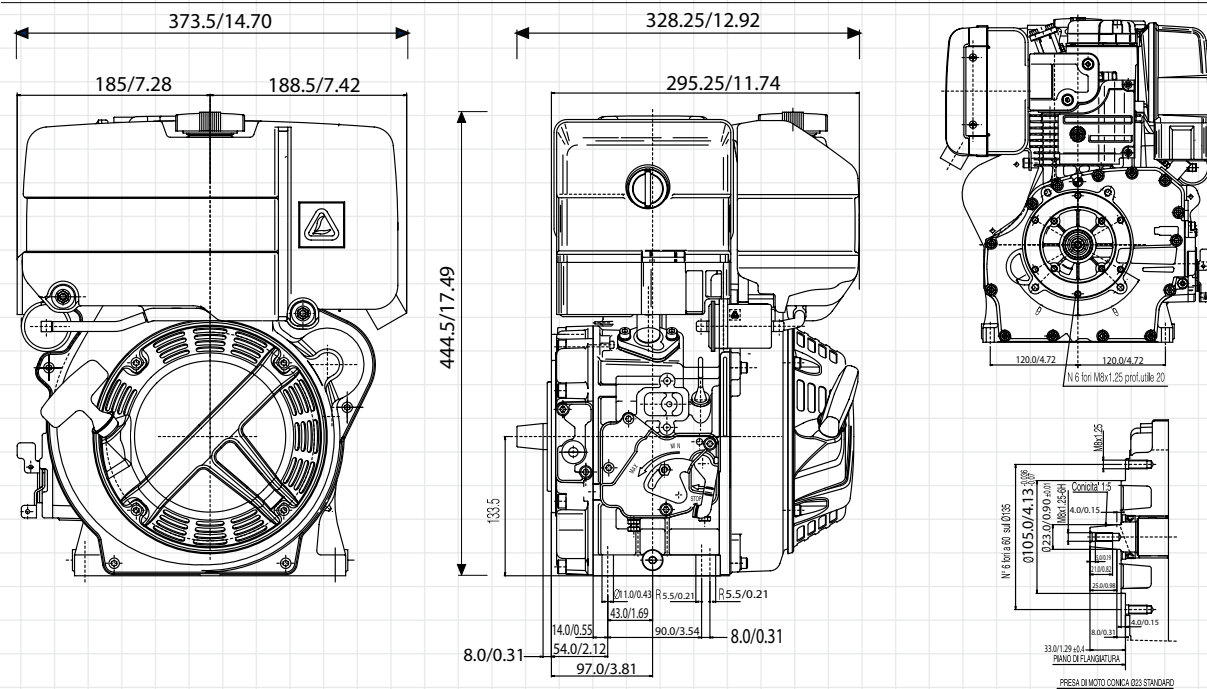
## Curves



- N Power curve - 80/1269/CEE - ISO 1585 -
- NB Power curve - ISO 3046/1 - IFN -
- NA Power curve - ISO 3046/1 - ICXN -
- MN Torque curve - (N curve)
- MB (B curve - MA (A curve)
- C Specific fuel consumption - (NB curve)

# Kohler® Diesel Model KD350D

## Technical Drawings



### Standard Equipment

- Recoil Start with Automatic Compression Release
- Fuel Tank
- Fuel Filter
- Dry Air Cleaner
- Muffler with Guard
- Accelerator and Stop Manual Control
- 12 V Electric Start with Control Panel
- SAE J609a Ext 4 Crankshaft with Type A & B Mtg. Flanges
- Fuel Valve Safety Shutdown for Low Oil Pressure

### Accessories

- Internal Dynamic Balancer
- 24 V Electric Start
- Accelerator and Stop Remote Control
- Key Start Panel with Shutdown Device
- Fuel Lift Pump
- Oil Temperature Switch
- Glow Plug on Intake Manifold
- SAE J609a Ext. 7, 9, 6, 3, and 4 Integral Crankshaft Options with Type A & B Mounting Flanges