

DPS  **PUMPS**

SELF-PRIMING CENTRIFUGAL PUMP

FSR Series



DPS PUMPS -

A Division of Diesel Parts & Service Pty. Ltd. A.C.N. 009 818 848

21 Hilda Street

Hamilton, Brisbane, Qld. 4007

Ph: 07 - 3268 1062

Fax: 07 - 3868 1330

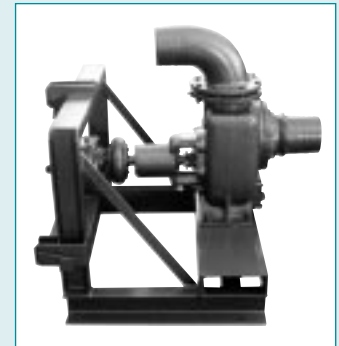
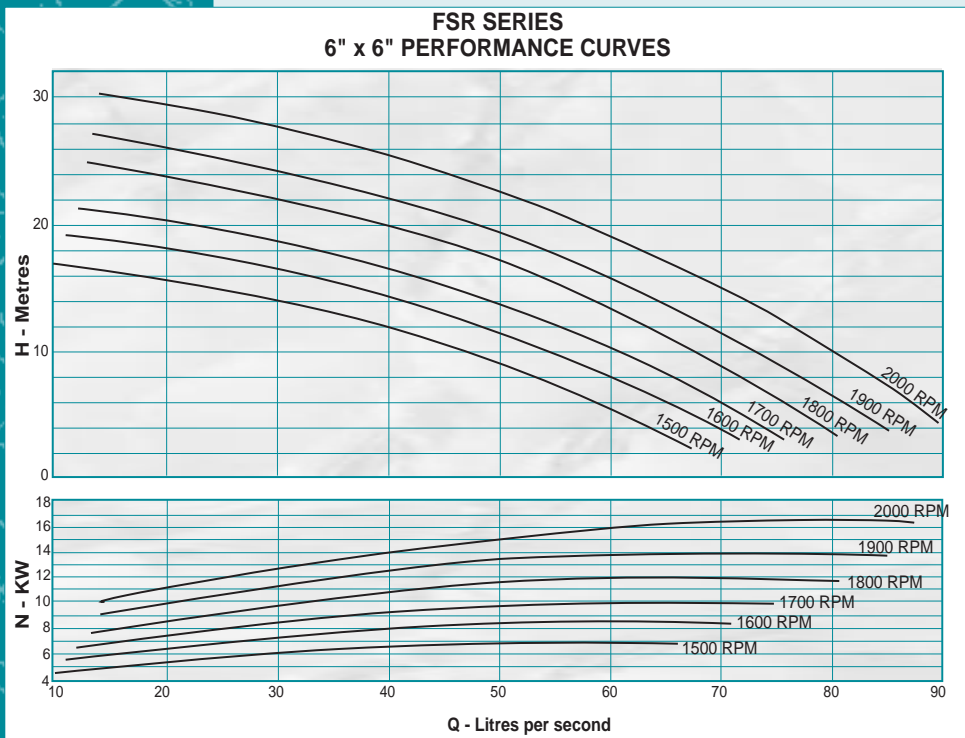
DPS PUMPS

SELF PRIMING CENTRIFUGAL PUMP

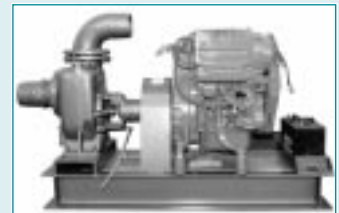
FSR Series

TECHNICAL FEATURES

1. SELF PRIMING. No foot valve needed.
2. MIXED FLOW TYPE IMPELLER
3. SEALED BEARINGS
4. HEAVY DUTY - cast iron construction
5. ROTATION - clockwise
6. OPTIONS: MECHANICAL SEAL
STAINLESS STEEL SHAFT



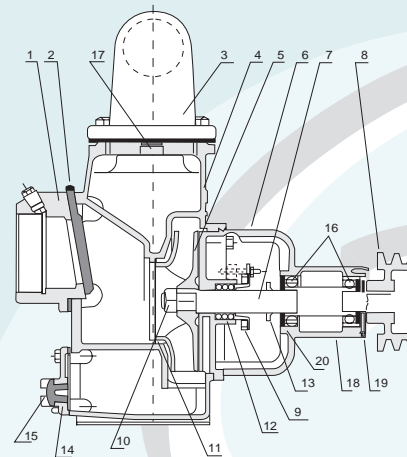
FSR150 3 point linkage P.T.O. unit



FSR150 Engine Set

PARTS LIST

No.	PART NAME
1	SUCTION FLANGE
2	CHECK VALVE
3	DISCHARGE FLANGE
4	PUMP CASING
5	IMPELLER
6	BEARING CASING
7	SHAFT
8	PULLEY
9	GLAND
10	IMPELLER NUT
11	WEAR RING
12	GLAND PACKING
13	WATER THROWER
14	DRAIN COVER
15	DRAIN PLUG
16	BEARING
17	PRIMING PLUG
18	OUTSIDE COVER
19	WASHER
20	BEARING END COVER



DISTRIBUTED BY: