



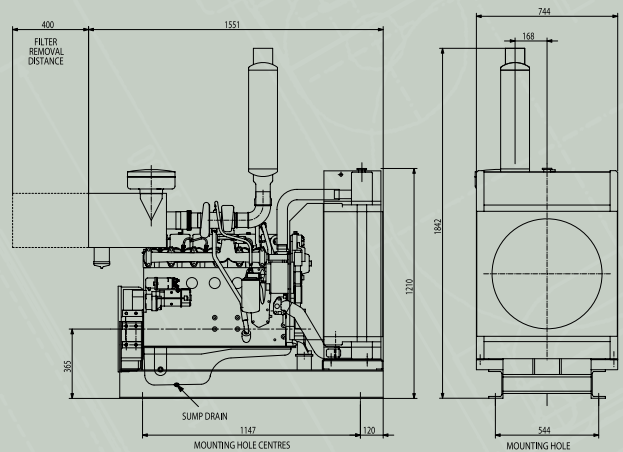
BETA 5.9-C



SPECIFICATIONS

Four-Stroke Cycle, Turbocharged
In-Line, Six Cylinder Diesel Engine

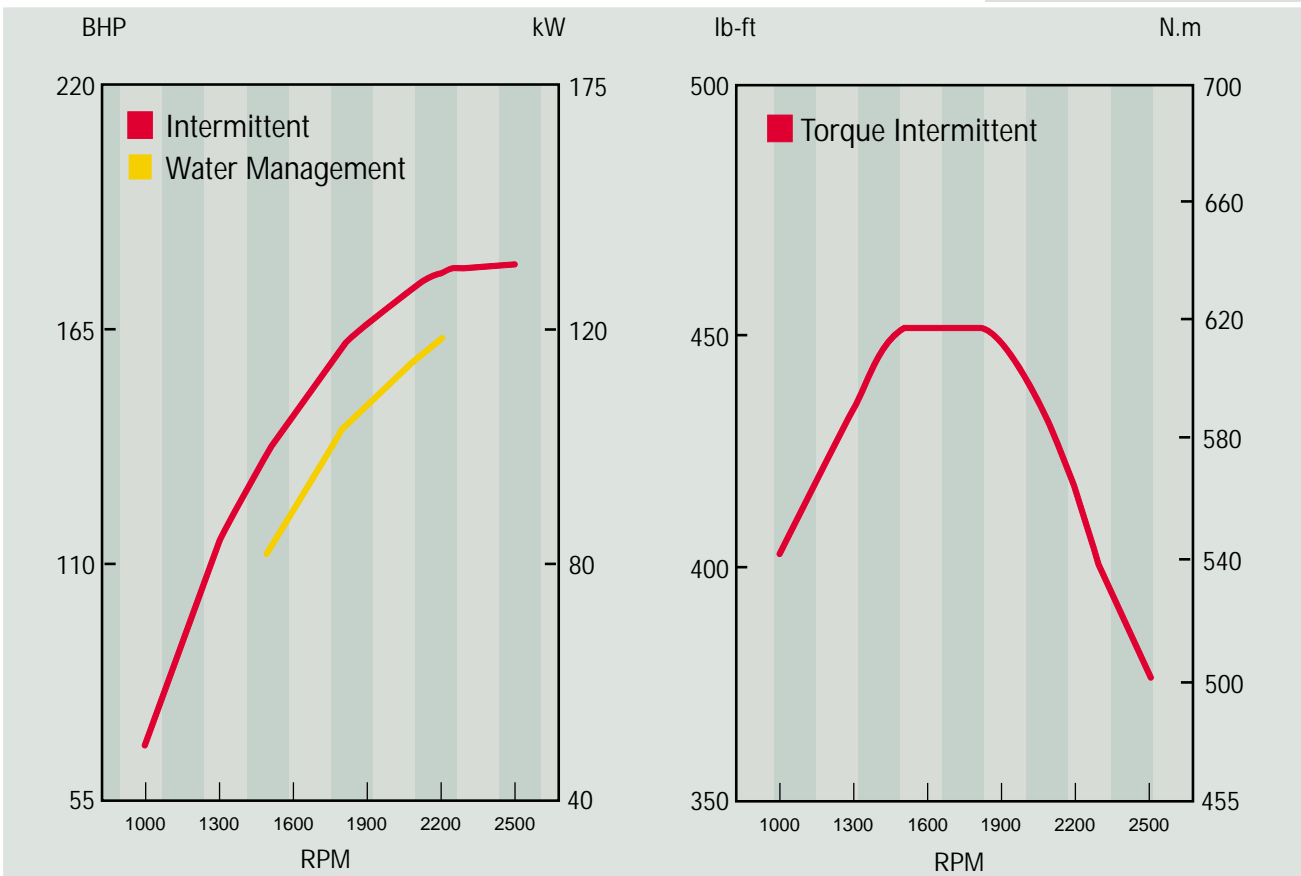
	US STD	Metric
Power Rating	177 bhp	132 kW
Rated Speed	2500 RPM	2500 RPM
Peak Torque	455 lb-ft	617 Nm
Peak Torque RPM	1500 RPM	1500 RPM
Bore & Stroke	4.02 x 4.72 ins	102 x 120 mm
Piston Displacement	359 cu-ins	5.9 L
Oil System Capacity	17.3 US qts	16.4 L
Coolant Capacity	9.5 US qts	9 L
Dry Weight (Eng)	905 lbs	411 kg
Custompak Weight (Wet)	1493 lbs	677 kg



6BTA5.9-C

CPL 0599

TECHNICAL SPECIFICATIONS



PERFORMANCE										
RPM	Intermittent		Water Management		Continuous		Torque		Fuel Consumption	
	BHP	kW	BHP	kW	BHP	kW	lb-ft	N.m	lb/BHP-HR	g/kW-hr
1000	65	48	-	-	-	-	400	542	0.388	236
1300	112	84	-	-	-	-	435	590	0.365	222
1500	133	99	116	87	107	80	455	617	0.342	208
1800	160	119	140	104	128	96	455	617	0.339	206
2100	174	130	152	113	139	104	435	590	0.351	214
2200	176	131	160	119	141	105	420	570	0.357	217
2300	176	131	-	-	-	-	401	544	0.364	221
2500	177	132	-	-	-	-	373	506	0.378	230

Performance figures shown are SAE and do NOT include Cooling Fan and other parasitic losses. Specifications may change without notice.

BRANCHES: AUSTRALIA: NSW: Grafton Ph: (02) 6642 3655 Leeton Ph: (02) 6953 3077 Newcastle Ph: (02) 4964 8466 Penrith Ph: (02) 4729 1313 Queanbeyan Ph: (02) 6297 3433 Scone Ph: (02) 6545 2349 Tamworth Ph: (02) 6765 5455 Wetherill Park Ph: (02) 9616 5300

VIC: Campbellfield Ph: (03) 9357 9200 Dandenong Ph: (03) 9706 8088 Laverton Ph: (03) 9360 0800 Swan Hill Ph: (03) 5033 1511 Wodonga Ph: (02) 6024 3655

QLD: Cairns Cummins Nerco Ph: (07) 4035 2999 Darra Ph: (07) 3375 3277 Emerald Ph: (07) 4982 4022 Mackay Ph: (07) 4955 1222 Townsville Ph: (07) 4774 7733

SA: Adelaide Ph: (08) 8262 5211 Mount Gambier Ph: (08) 8725 6422

WA: Bunbury Ph: (08) 9725 6777 Kalgoorlie Ph: (08) 9021 2588 Karratha Ph: (08) 9144 4646 Perth Ph: (08) 9475 8777

NT: Darwin Ph: (08) 8947 0766

TAS: Devonport Ph: (03) 6424 8800

PAPUA NEW GUINEA: Lae Ph: 675 472 3699 Port Moresby Ph: 675 323 2471

NEW ZEALAND: Auckland Ph: (09) 579 0085 Christchurch Ph: (03) 348 8170 Dunedin Ph: (03) 477 8818

Palmerston North Ph: (06) 356 2209 Bay of Plenty Ph: (07) 345 6699

Website: www.cumminsengine.com.au

BULLETIN CPR 254

