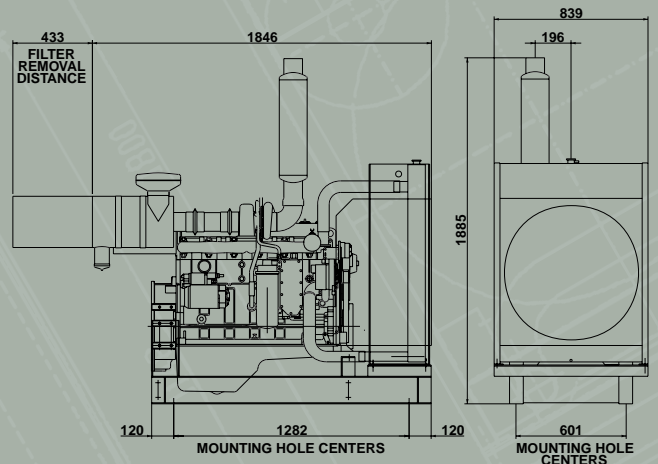


6C18.3-C

SPECIFICATIONS

Four-Stroke Cycle, Turbocharged
In-Line, Six Cylinder Diesel Engine

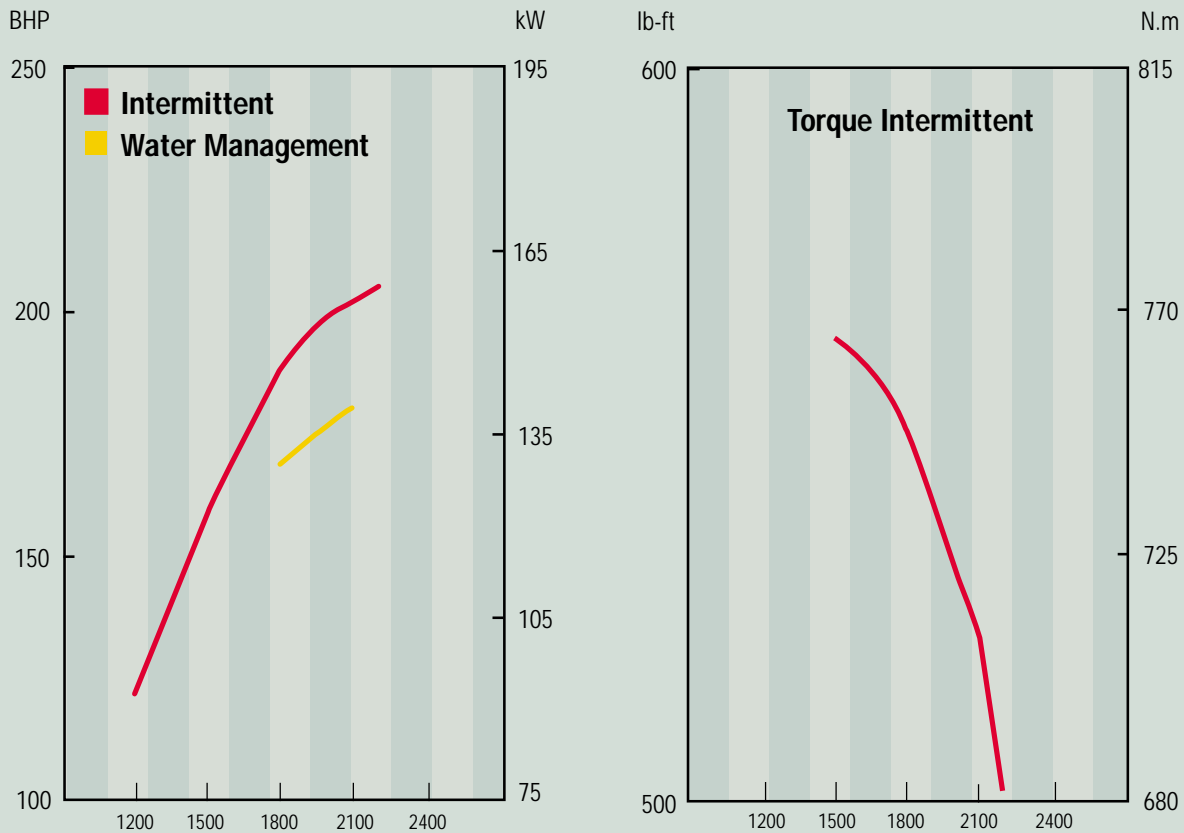
	US STD	Metric
Power Rating	210 bhp	157 kW
Rated Speed	2200 RPM	2200 RPM
Peak Torque	567 lb-ft	769 Nm
Peak Torque RPM	1500 RPM	1500 RPM
Bore & Stroke	4.49 x 5.32 ins	114 x 135 mm
Piston Displacement	504.5 cu-ins	8.27 L
Oil System Capacity	23.7 US qts	22.4 L
Coolant Capacity	10.6 US qts	10 L
Dry Weight (Eng)	1295 lbs	588 kg
Custom Pak Weight (wet)	2163 lbs	981 kg



6CT8.3-C

CPL 0985

TECHNICAL SPECIFICATIONS



PERFORMANCE

RPM	Intermittent		Water Management		Continuous		Torque		Fuel Consumption	
	BHP	kW	BHP	kW	BHP	kW	lb-ft	N.m	lb/BHP-HR	g/kW-hr
1200	121	90	-	-	-	-	530	719	0.372	226
1500	162	121	-	-	133	99	567	769	0.340	207
1800	188	140	170	127	154	115	550	746	0.338	206
2000	203	151	178	133	167	124	532	721	0.345	210
2100	207	154	180	134	170	127	518	702	0.350	213
2200	210	157	-	-	-	-	501	679	0.371	226

Performance figures shown are SAE and do NOT include Cooling Fan and other parasitic losses. Specifications may change without notice.

BRANCHES: AUSTRALIA: NSW: Grafton Ph: (02) 6642 3655 Leeton Ph: (02) 6953 3077 Newcastle Ph: (02) 4964 8466 Penrith Ph: (02) 4729 1313 Queanbeyan Ph: (02) 6297 3433 Scone Ph: (02) 6545 2349 Tamworth Ph: (02) 6765 5455 Wetherill Park Ph: (02) 9616 5300

VIC: Campbellfield Ph: (03) 9357 9200 Dandenong Ph: (03) 9706 8088 Laverton Ph: (03) 9360 0800 Swan Hill Ph: (03) 5033 1511 Wodonga Ph: (02) 6024 3655

QLD: Cairns Cummins Nerco Ph: (07) 4035 2999 Darra Ph: (07) 3375 3277 Emerald Ph: (07) 4982 4022 Mackay Ph: (07) 4955 1222 Townsville Ph: (07) 4774 7733

SA: Adelaide Ph: (08) 8262 5211 Mount Gambier Ph: (08) 8725 6422

WA: Bunbury Ph: (08) 9725 6777 Kalgoorlie Ph: (08) 9021 2588 Karratha Ph: (08) 9144 4646 Perth Ph: (08) 9475 8777

NT: Darwin Ph: (08) 8947 0766

TAS: Devonport Ph: (03) 6424 8800

PAPUA NEW GUINEA: Lae Ph: 675 472 3699 Port Moresby Ph: 675 323 2471

NEW ZEALAND: Auckland Ph: (09) 579 0085 Christchurch Ph: (03) 348 8170 Dunedin Ph: (03) 477 8818

Palmerston North Ph: (06) 356 2209 Bay of Plenty Ph: (07) 345 6699

Website: www.cumminsengine.com.au

BULLETIN CPR 255

