

Fig. 'A'

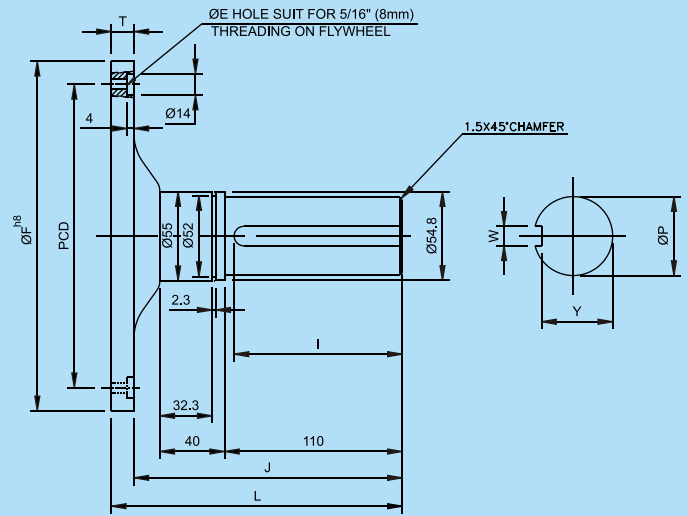


Fig. 'B'

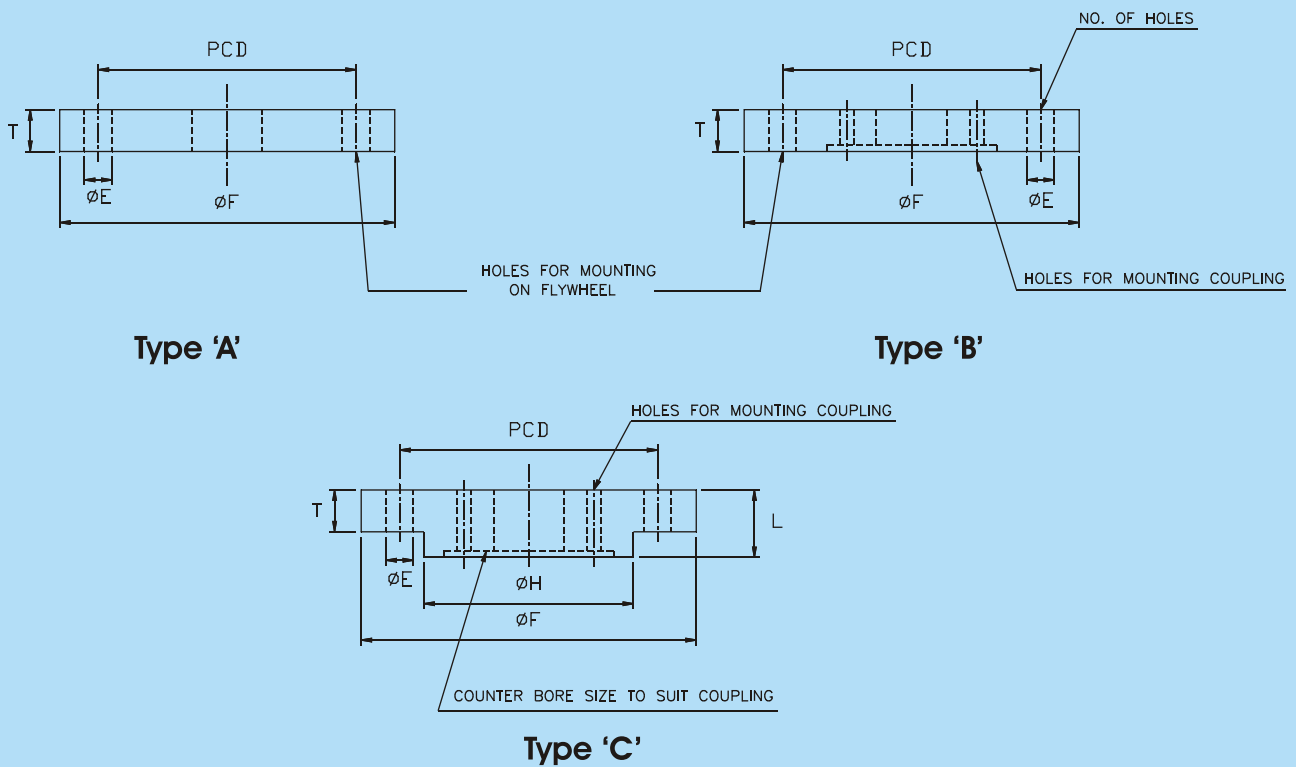
TECHNICAL DATA

SAE Model	T	L	Dia. P	I	J	K	SAE Flange (Inches)				Ref Fig.
							Dia. F	PCD	No. of Holes	Dia. E	
SSI 6.5" X 1 5/8"	14	134	1.625"	90	120	105	8 1/2"	7 7/8"	6	21/64	Fig. A
SSI 7.5" X 1 5/8"							9 1/2"	8 3/4"			
SSI 10" X 1.625"							12 3/8"	11 5/8"			
SSI 10" X 2"		220	2.0"	176	206	191	13 7/8"	13 1/8"	8	13/32	
SSI 10" X 2" / MF											
SSI 11.5" X 2"											
SSI 11.5" X 2" / MF											
SSI 14" X 3.5"	18	228	3.5"	170	210	195	18 3/8"	17 1/4"	17/32	Fig. B	
SAE 6.5" X 42 mm	14	180	42	100	166	150	8 1/2"	7 7/8"	6		8.4
SAE 6.5" X 48 mm			48								
SAE 6.5" X 1 5/8"(B)			1 5/8"								
SAE 7.5" X 48 mm			48								
							9 1/2"	8 3/4"	8		

SHAFT DIMENSIONS For Fig. 'A'		
Dia P	W +0.001" -0.000"	Y +0.006" -0.000"
1.625" +0.0007" -0.0001"	0.437"	1.433"
2.00" +0.0008" -0.0001"	0.499"	1.804"
3.50" +0.0014" -0.0005"	0.874"	3.124"

SHAFT DIMENSIONS For Fig. 'B'		
Dia P	Y +0.0" -0.2"	W +0.000" -0.043"
48" +0.018" -0.002"	42.5	14
42" +0.018" -0.002"	37	12
1 5/8" +0.001" -0.000"	1.439" 1.433"	+0.001" 7/16" -0.000"

Note : All dimensions are in mm, otherwise specified.



TECHNICAL DATA

SIZE	Outside Dia Dia. F	PCD	Dia. H	No. of Holes	Hole Dia. E	T	L
SAE 6 1/2"	8 1/2" (215.9)	7 7/8" (200.02)	174.14	6	21/64"	16	45
SAE 7 1/2"	9 1/2" (241.3)	8 3/4" (222.25)	193.20	8	21/64"	16	45
SAE 8"	10 3/8" (263.52)	9 5/8" (244.47)	215.42	6	13/32"	16	45
SAE 10"	12 3/8" (314.32)	11 5/8" (295.2)	266.08	8	13/32"	16	45
SAE 11 1/2"	13 7/8" (352.42)	13 1/8" (333.37)	304.32	8	13/32"	16	45
SAE 14"	18 3/8" (466.72)	17 1/4" (438.15)	399.58	8	17/32"	20	50
SAE 16"	20 3/8" (517.52)	19 1/4" (488.95)	428.38	8	17/32"	22	50
SAE 18"	21 3/8" (542.92)	20 1/2" (520.7)	488.48	6	41/64"	22	50
SAE 21"	26 1/2" (673.1)	25 1/4" (641.35)	599.60	12	41/64"	25	50
SAE 24"	28 7/8" (733.42)	27 1/4" (692.15)	640.88	12	41/64"	30	55

Note : All dimensions are in mm, otherwise specified.

In view of our constant endeavour to improve quality of our products, we reserve the right to alter or change specifications without prior notice. This document is the intellectual property of Rathi Transpower Pvt. Ltd. and subject to copyright.

	<p>Rathi Transpower Pvt Ltd Rathi Chambers, 7, Deccan College Road, Pune 411 006.(INDIA) Phone : 91-20-30517201 Fax : 91-20-30517212 E-mail : enquiry@rathigroup.com Website : www.rathicouplings.com</p>	Distributor
--	--	-------------